



Division 6 – the Motor City Division Standards for a HO scale T-track module

HELLO!! These are plans for a Division 6 T-Track modular layout! The idea is that this is small enough that any member can build one and transport it to our annual Fall Model RR Show & Workshop and/or display it at other events, to promote Div 6 and model railroading! HO was chosen, as most of us model in that scale!

There are no good current HO T-track standards (that could be found) but there is a group in Australia that has some standards, all in metric and using Kato track. This standard is in inches and using more accessible/affordable Bachman EZ track sections.

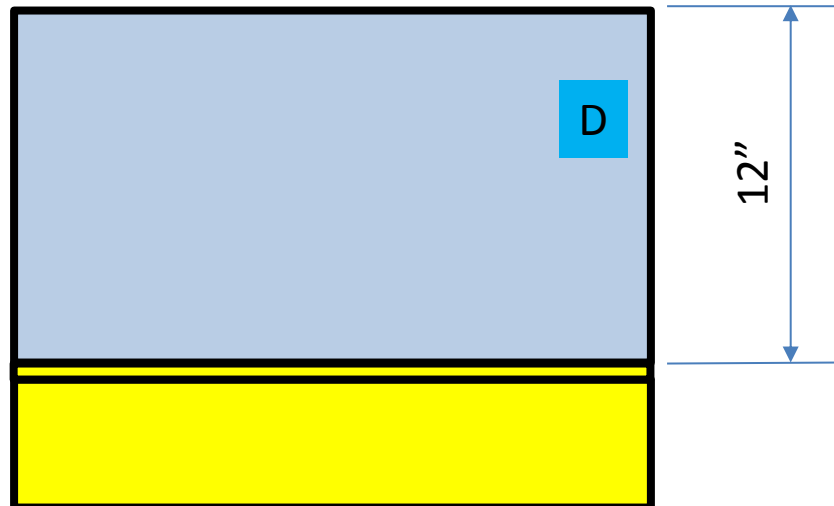
This is a simple design and costs about \$20-30 for the basic module, minus scenery. The nice part is, all that is needed is a bunch of tables to set this up! This is just a bit more difficult than a 12x12 square model, that we have all built in the past. The big difference... These will RUN TRAINS!!

This is designed to be DC powered, but a DCC system can easily be hooked up and many trains could be run at the same time. For DC operation, two power packs will be needed.

We hope this will inspire you to build a module! With the standard size shown here... If 24 members made modules, we would have an 18 foot layout!! (plus the ends, would make it longer!!) COOL!!

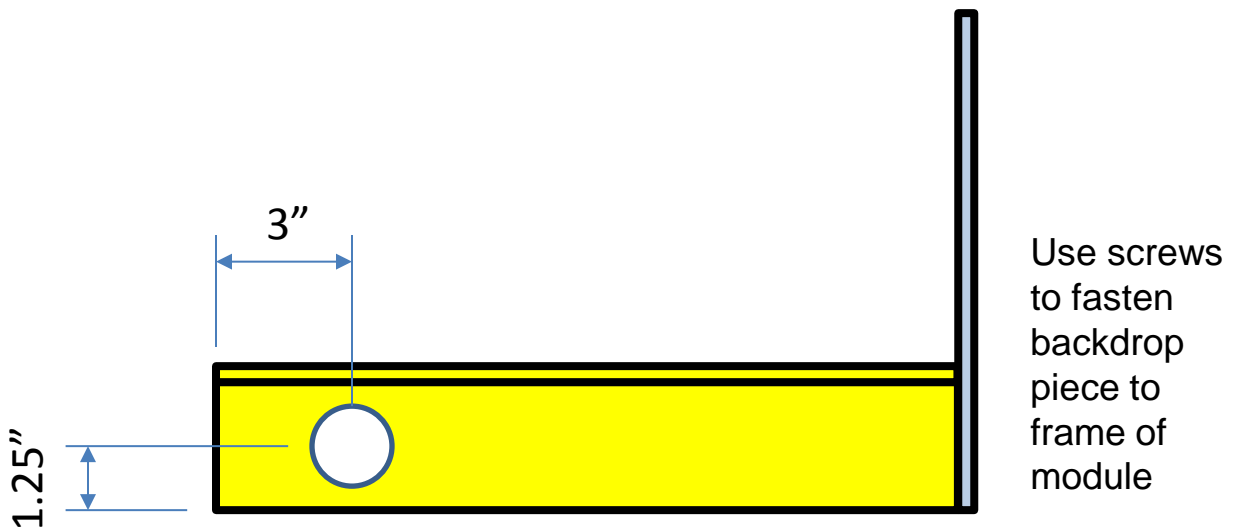


Division 6 – the Motor City Division Standards for a HO scale T-track module

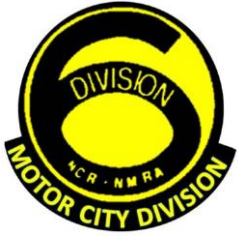


Materials

D – 1/8x15x18 masonite backdrop



1.25" hole for
Wire connectors
Both sides



Division 6 – the Motor City Division Standards for a HO scale T-track module

- 1) Electrical connections between modules are with connectors from Home Depot. There are 5 in the package, so you can share with a friend, as you only need two.
- 2) Use the connectors as shown below. This will insure that you cannot connect track one to track two by mistake!
- 3) Wires simply press into the connectors, after you strip some insulation off. Black wire (-) always goes into the connector port with the black outline!
- 4) Track wires are on each end! Black on the outside rails, red on the inside. Use 16 ga stranded wires – 6” long and soldered to track within 2” of the track ends.
- 5) Connect wires from each track to a terminal block, mounted on the back of the module. This is for hook-up to a power pack.



Front of module



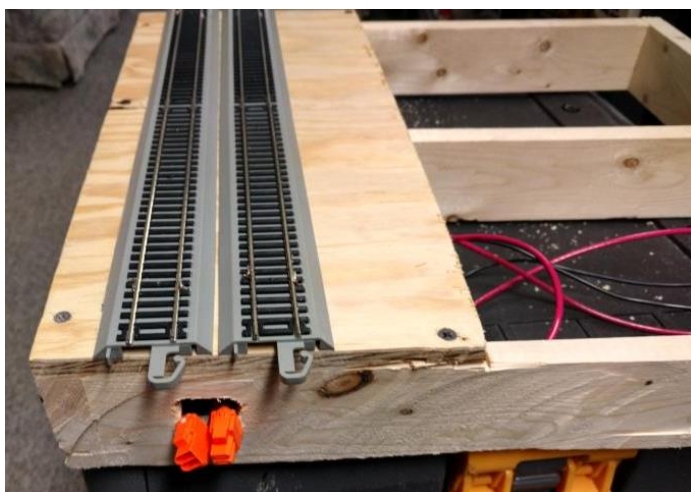
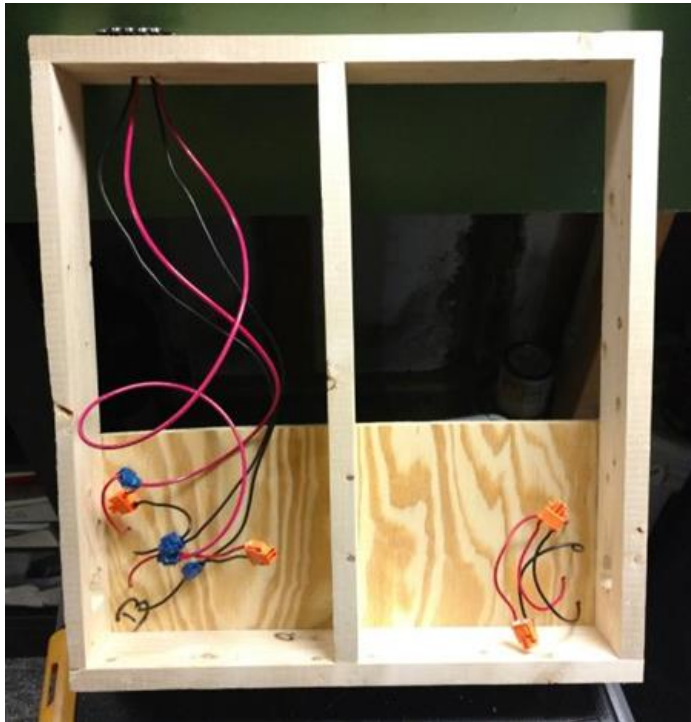
Back of module showing terminal block for hooking up power packs

Date – 28DEC19
Dwn: Barry Hensel



Division 6 – the Motor City Division Standards for a HO scale T-track module

Images of a completed (minus scenery) basic module



IMPORTANT NOTES:

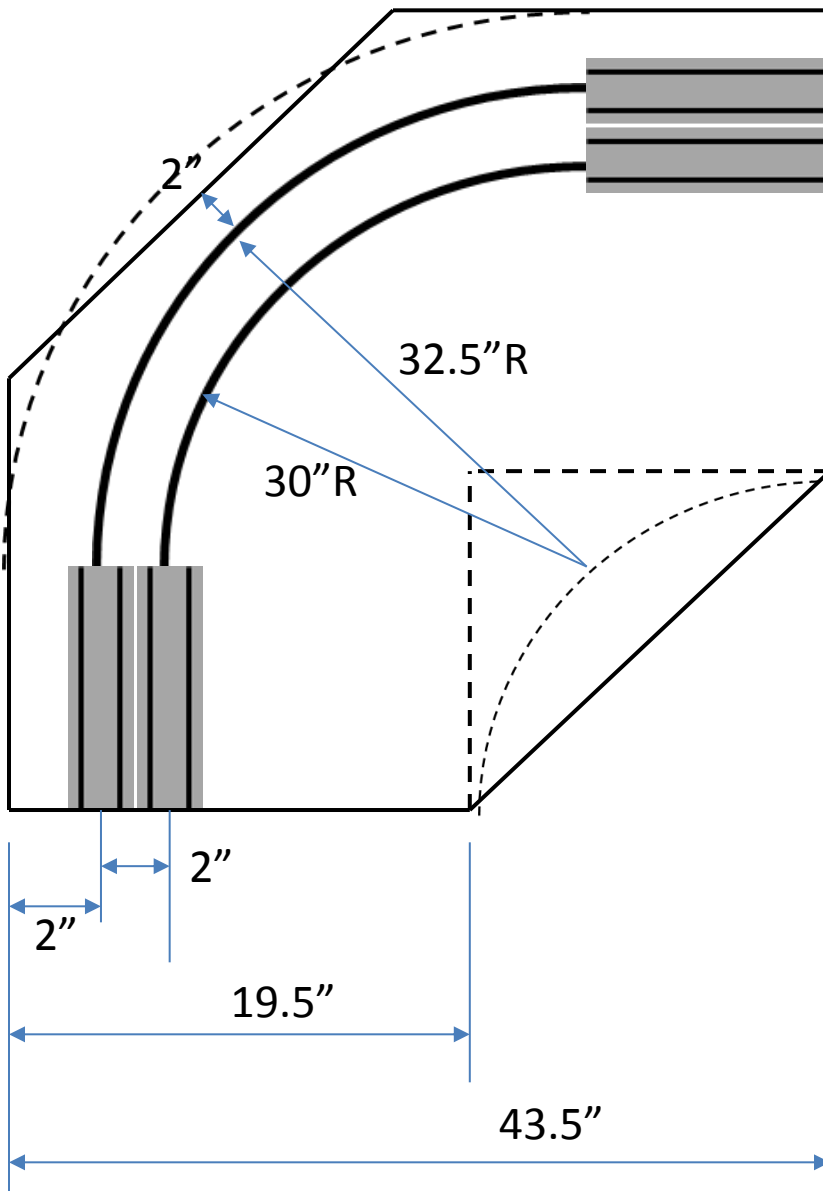
- a) The module **MUST** be exactly 18" wide (or in increments of 18")
- b) Removing the rail jointers on the ends allows modules to fit together much easier. This is why wiring must be on both ends.
- c) Center brace is optional and could go from side to side too
- d) Not every module really needs the terminal block on the back, but several should have them to be sure power packs can be connected!

*Date – 28DEC19
Dwn: Barry Hensel*



Division 6 – the Motor City Division Standards for a HO scale T-track module

Corner module design



NOTES-

* End dimensions are the same for both ends. Other end features are the same for standard modules, see sheet 2

* Track sections are standard Bachman EZ track 9" straights

* Track in-between end tracks to be Atlas code 100 flex track on cork

* Dashed lines are optional configurations

* All electrical connections follow the standard module plans, see sheet 4

* Frame board sizes to be same as standard module – 1x3 and 1/2" plywood

* **NOT drawn to scale!!**

Date – 28DEC19

Dwn: Barry Hensel